

**KARACHI INSTITUTE OF TECHNOLOGY AND ENTREPRENEURSHIP**  
**Sample Questions for Admissions Test - Fall 2018**

**Time: 1 hour**  
**Max. Marks: 45**

**Requisite Instructions:**

- There are 3 section contains. Each section contains 15 questions
- Attempt All questions.
- Each question carries 1 marks.
- No negative marking.
- Programmable calculator is Strictly NOT allowed.
- Best of luck.

**English:**

1.) The antonym of 'ENORMOUS' is

- A. Soft
- B. Average
- C. Tiny
- D. Weak

2.) The man was charged \_\_\_\_\_ murder.

- A. on
- B. of
- C. with
- D. at

3.) The shopkeeper has charged me ten rupees \_\_\_\_\_ this book.

- A. at
- B. with
- C. for
- D. of

4.) Select the correctly punctuated sentence.

- a) Some people like to get up early in the morning; others would not like to do so.
- b) Some people, like to get up early in the morning; others would not like to do so.
- c) Some people like, to get up early in the morning, others would not like to do so.
- d) Some people like to get up early in the morning others would not like to do so.

5.) The antonym of 'RELINQUISH' is,

- A. Abdicate
- B. Renounce
- C. Possess
- D. Deny

6.) The antonym of 'QUIESCENT' is,

- A. Active
- B. Dormant
- C. Weak
- D. Unconcerned

7.) The synonym of 'CORPULENT' is,

- A. Lean
- B. Gaunt
- C. Emaciated
- D. Obese

8.) If she is not interested, we will \_\_\_\_\_ the proposal.

- A. vacant
- B. abandon
- C. impulse
- D. remove

9.) The synonym of 'EMBEZZLE' is

- A. Misappropriate
- B. Balance
- C. Remunerate
- D. Clear

10.) The building is not safe and must be \_\_\_\_\_down.

- A. pull
- B. pulling
- C. pulled
- D. pulls

11.) The song in the play cannot be deleted as it is \_\_\_\_\_to the story.

- A. intervened
- B. innate
- C. exacting
- D. integral

12.) Chose the correct punctuation.

- A. Spain is a beautiful country; the beache's are warm, sandy and spotlessly clean.
- B. Spain is a beautiful country: the beaches are warm sandy and spotlessly clean.
- C. Spain is a beautiful country, the beaches are warm, sandy and spotlessly clean.
- D. Spain is a beautiful country; the beaches are warm, sandy and spotlessly clean.

13.) He is used to\_\_\_\_\_ cricket.

- A. play
- B. played
- C. playing
- D. plays

14.) Chose the correct punctuation.

- A. The children's books were all left in the following places: Mrs Smith's room, Mr Powell's office and the caretaker's cupboard.
- B. The children's books were all left in the following places; Mrs Smith's room, Mr Powell's office and the caretaker's cupboard.
- C. The childrens books were all left in the following places: Mrs Smiths room, Mr Powells office and the caretakers cupboard.
- D. The children's books were all left in the following places, Mrs Smith's room, Mr Powell's office and the caretaker's cupboard.

15.) Earth is closest to the sun every year in early \_\_\_\_\_, when it's winter for the Northern Hemisphere. We're farthest away from the sun in early \_\_\_\_\_, during our Northern Hemisphere summer.

- A. January, July
- B. June, December
- C. July, January
- D. December, June

**Answer key.**

- 1. C
- 2. C
- 3. C
- 4. A
- 5. C
- 6. A
- 7. D
- 8. B
- 9. A
- 10. C
- 11. D
- 12. D
- 13. C
- 14. A
- 15. A

# MATHEMATICS:

1.) A complex number added to its additive inverse would give?

- A. Multiplicative identity
- B. Additive identity
- C. Additive inverse
- D. Multiplicative inverse

2.)  $x + 2$  is a factor of?

- A.  $x^4 + 2$
- B.  $x^4 - x^2 + 12$
- C.  $x^4 - 2x^3 - x + 2$
- D.  $x^4 + 2x^3 - x - 2$

3.) What is the value of  $x$  in  $3x - 15 - 6 = 0$ ?

- A. 7
- B. 8
- C. 9
- D. -9

4.) If the length and width of a rectangle are 10 m and 8 m, then find its area.

- A. 80 square cm
- B. 86 square meter
- C. 80 square meter
- D. 84 square meter

5.) Coordinates of midpoint of line joining two points (16, 4) and (36, 6) are:

- A. (26, 5)
- B. (5, 26)
- C. (10, 1)
- D. (1, 10)

6.) The simplest form of 1.5 : 2.5 is .....

- A. 6:10
- B. 15 : 25
- C. 0.75 : 1.25
- D. 3 : 5

7.) The wages of 10 workers for a six-day week is \$1200. What are the one day's wages of 4 workers?

- A. \$40
- B. \$32
- C. \$80
- D. \$24

8.) Complete the sequence 13, 16, ....., 22.

- A. 17
- B. 18
- C. 19
- D. 20

9.) If  $f(x)=|x|+x^2$ , then  $f(-1)$ ?

- A. 3
- B. 0
- C. 2
- D. 1

10.) I am a number. I have 7 in the ones place. I am less than 80 but greater than 70. What is my number?

- A. 71
- B. 73
- C. 75
- D. 77

11.)  $X + 2$  is a factor of?

- A.  $5X^2-3X-14$
- B.  $5X^3+3X-14$
- C.  $7X^2-3X-14$
- D.  $5X^2+3X-14$

12.) 17. If two lines never intersect each other then what are they referred as?

- A. Right Lines
- B. Straight Lines
- C. Perpendicular
- D. Parallel

13.)  $(3^{-12})^{1/2} = \dots\dots\dots$

- A.  $3^{-6}$
- B.  $3^6$
- C.  $3^{-12}$
- D.  $3^{12}$

14.)  $(4^2)^2$

- A. 4
- B. 32
- C. 16
- D. 256

15.) The length of the diameter of the circle  $x^2 + y^2 = a^2$  is,

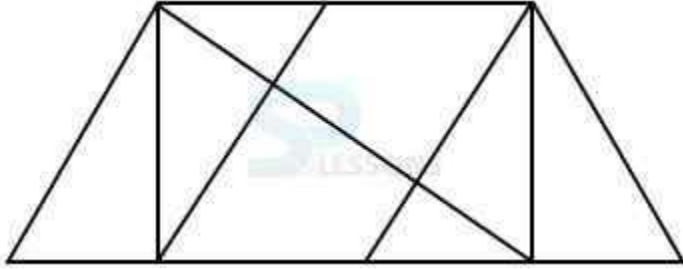
- A. 0
- B. a
- C. 2a
- D. 3a

**Answer Key**

- 1. B
- 2. D
- 3. A
- 4. A
- 5. C
- 6. A
- 7. D
- 8. C
- 9. C
- 10. C
- 11. D
- 12. D
- 13. A
- 14. C
- 15. C

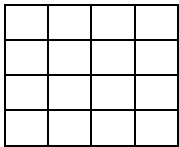
## ANALYTICAL:

1.) Find the number of triangles in the given figure.



- A.8
- B.10
- C.12
- D.14

2.) Count the number of squares in the given figure.



- A. 32
- B. 30
- C. 29
- D. 28

3.) What is the next number in this following sequence 2 6 11 17 24 \_\_\_\_\_?

- A. 32
- B. 36
- C. 33
- D. 42
- E. 26

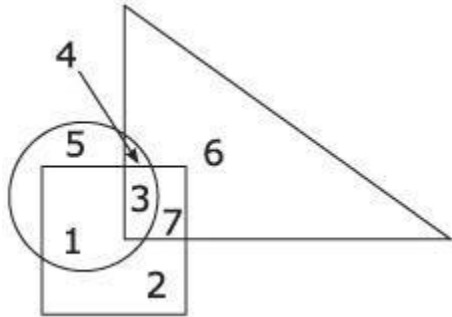
4.) What is  $67 \times 3 + 234$ ?

- A. 398
- B. 512
- C. 396
- D. 435
- E. 426

5.) 1,2,3,1,4,9, 1, ... 27.

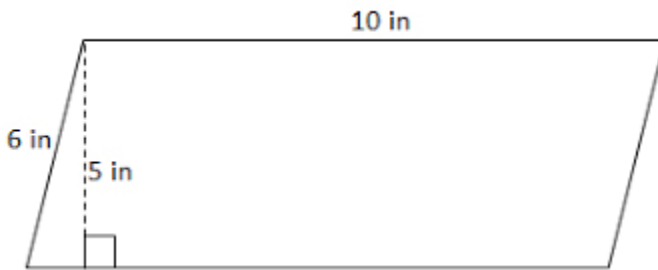
- A. 5
- B. 4
- C. 16
- D. 8

6.) Circle indicates 'strong', square indicates 'tall' and triangle 'army officers'. The strong army officers who are not tall are shown by the number:



- A. 6
- B. 3
- C. 4
- D. 5

7.) What is the area of the parallelogram below ?



- A. 50
- B. 100
- C. 30
- D. 36

8.) In a class of 40 students 20% are girls. How many boys are there in the class?

- A. 26
- B. 28
- C. 30
- D. 32



9.) The number of 3-digit numbers divisible by 6, is .....

- A. 149
- B. 166
- C. 150
- D. 151

10.) How many hours in 90 minutes?

- A. 1.5 hours
- B. 1.30 hours
- C. 1 hour
- D. None of these.

11.) During a certain week a post office sold \$280 worth of 14 cents stamps. How many of these stamps did they sell?

- A.20
- B.200
- C.2000
- D.20000

12.) On a map a distance of 100 cm represents 5km. If a street is 750 m long what is its length in the map in cm?

- A.10
- B.15
- C.20
- D.35

13.) In a class there are 27 students. If there are 7 more girls than boys in the class how many students are girls?

- A.15
- B.17
- C.20
- D.23

14.) The product of 3 and n is equal to 2 less than m. Which of the following is true?

- A.  $6n-m-2=0$
- B.  $6n-6=0$
- C.  $3n-m-2=0$
- D.  $3n-m+2=0$

15.) There are 40 minutes to solve a test of 60 questions. A student completes 20 questions in 20 minutes. He continues with the same speed and leaves the hall 10 minutes earlier. The number of questions solved by him is:

- A.20
- B.30
- C.40
- D.45

**Answer Key**

- 1. A
- 2. B
- 3. A
- 4. D
- 5. D
- 6. C
- 7. A
- 8. D
- 9. C
- 10. A
- 11. B
- 12. B
- 13. B
- 14. D
- 15. B